

Receiver

 Society
 Reference
 Address
 Phone
 Fax
 E-mail

From

 White International
 Wheeler, Nicolene
 Ashford Avenue
 02 9783 6000
 -
 nicolene.wheeler@whiteint.com.au

Item n° :

60179457

Model :

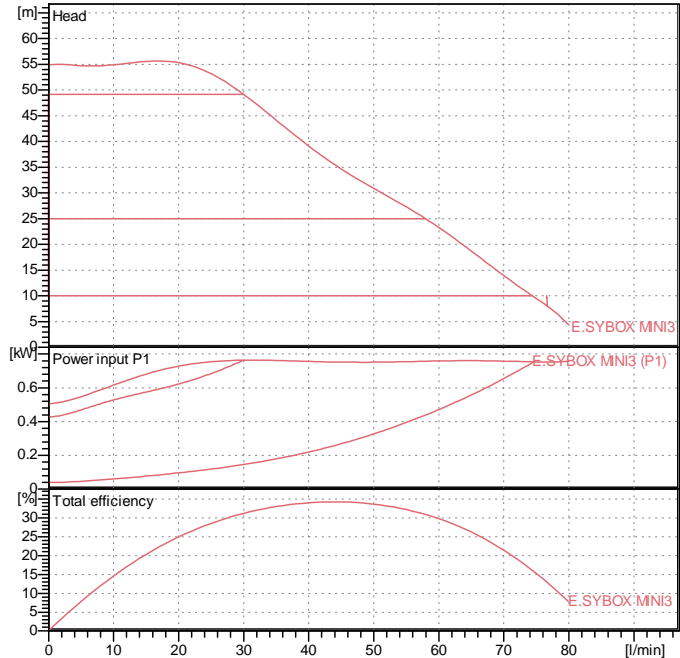
E.SYBOX MINI 3

Pump data

 Pressure rating : 7,5 bar (750 kPa)
 Min. fluid temperature : 0 °C
 Max. fluid temperature : 40 °C
 Max. Ambient temperature : 50 °C

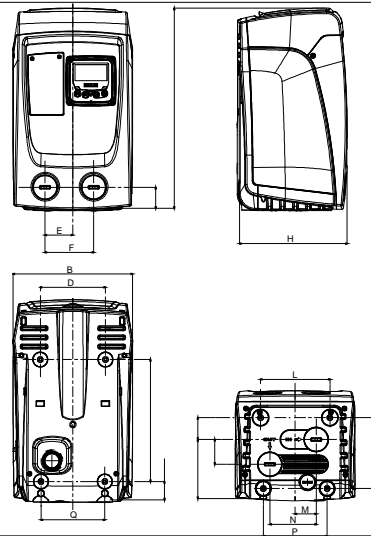
Requested data

 Flow : 0.00 l/min
 Head : 0.00 m
 Fluid : Water
 Fluid Temperature : 20 °C
 Density : 0.99819 kg/dm³
 Kinematic viscosity : 1.0004 mm²/s
 Vapor pressure : 2.20 kPa

Curve tolerance according to ISO 9906

Materials

Motor liner	Stainless Steel AISI 304
OR ring	NBR
Mechanical seal	Impregnated carbon-resin/Ceramic/NBR
Plugs	PA 6.6 30% FV / PP OMO 30% GF
Suction body	PP OMO 30% GF
Insert	Brass
Spring	AISI 303
Diff user	Noryl
Impeller	Noryl
Discharge section	PP OMO 30% GF
Non-return valve	Technopoly mer/Rubber/Steel
Tank	Technopoly mer/Rubber
Pressure sensor body	Technopoly mer
MOTOR BODY	PP OMO 30% GF
Seal disk	PA 6.6 30% GF
Self priming shutter	POM
Heat sink	Brass
Flowmeter wheel	POM

Hydraulic data (duty point)

 Flow :
 Head :

Dimensions in mm

A	439	F	106.7	M	46	S	47.8
B	263	G	279.5	N	101.7	T	133
C	46	H	236	P	140	V	54.5
D	143	I	40.5	Q	140		
E	60.7	L	152	R	155.5		

Weight : 14.6 kg

Pump connection

 Suction side : 1" G / 7,5 bar (750 kPa)
 Discharge side : 1" G / 7,5 bar (750 kPa)

Motor data

 Power input P1 : 0.85 kW
 Rated speed : 3000 1/min
 Rated v oltage : 1~ 220-240 V 50 Hz
 Nominal current : 4.8 A
 Degree of protection : IP X4



PERFORMANCE CURVES

2017-08-16

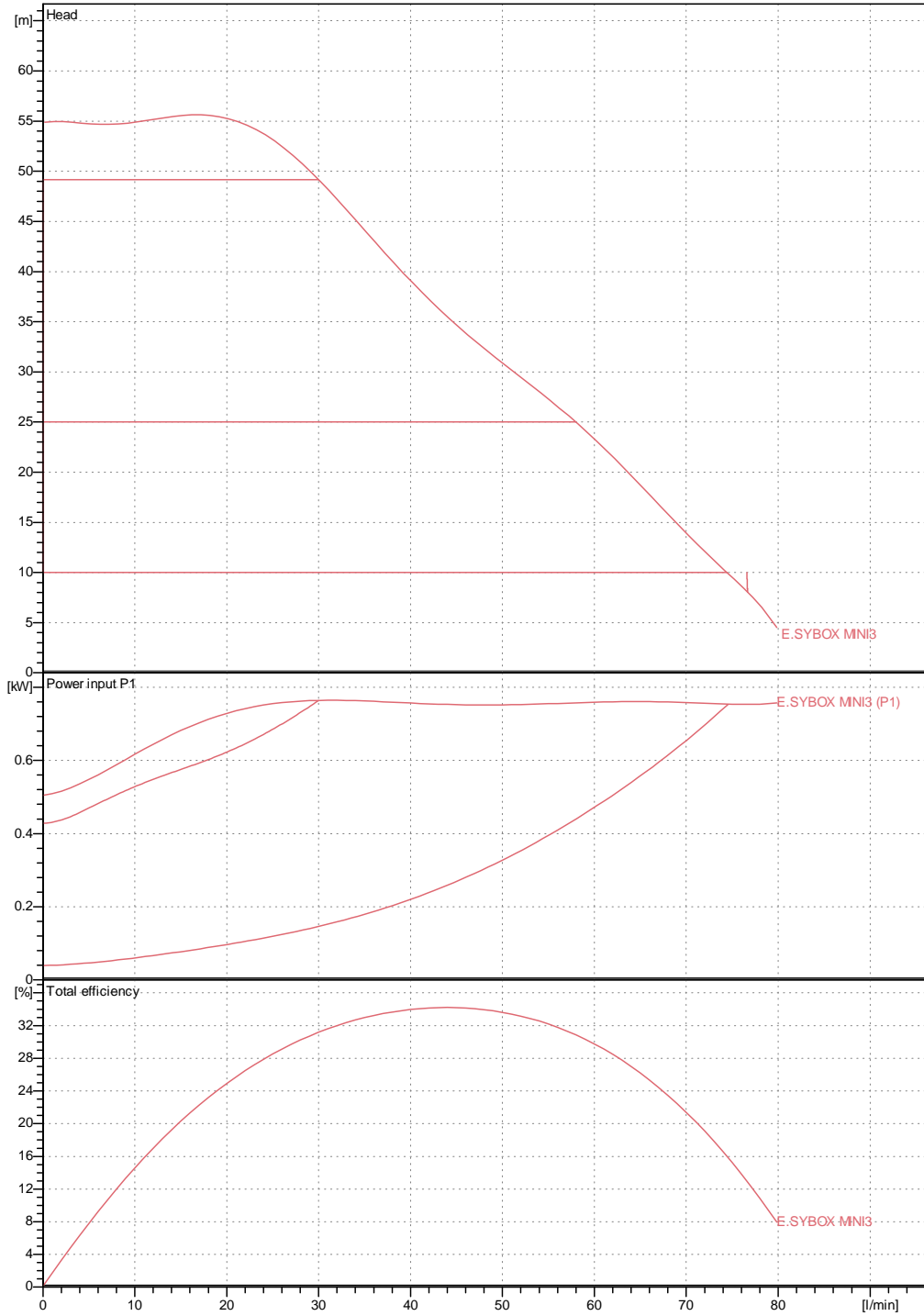
Page 2 / 3

DAB PUMPS S.p.A.
Via Marco Polo, 14 - 35035 Mestrino (PD), Italy
Tel. +39 049 5125000 - Fax +39 049 5125950
www.dabpumps.com

Society Reference Address Phone Fax E-mail	Receiver	From
		White International Wheeler, Nicolene Ashford Avenue 02 9783 6000 - nicolene.wheeler@whiteint.com.au

E.SYBOX MINI 3

Curve tolerance according to ISO 9906



Hydraulic data (duty point)

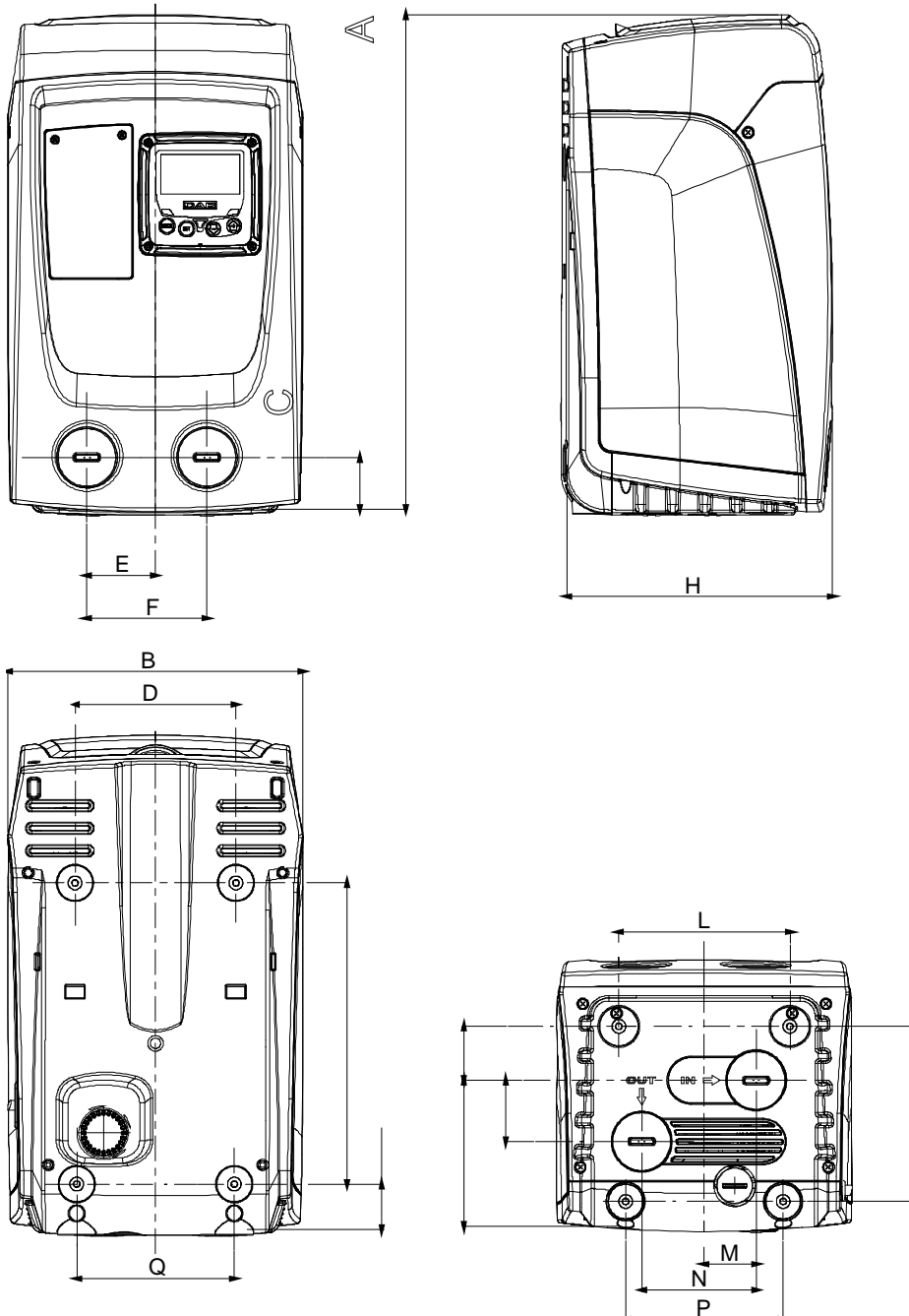
Suction side : 1" G 7,5 bar (750 kPa)	Discharge side : 1" G 7,5 bar (750 kPa)	Flow : 0 l/min	Head : 0 m	Rated speed : 3000 1/min
Project	Project ID	Created by	Created on 2017-08-16	


Receiver
From

 Society
 Reference
 Address
 Phone
 Fax
 E-mail

 White International
 Wheeler, Nicolene
 Ashford Avenue
 02 9783 6000
 -
 nicolene.wheeler@whiteint.com.au

E.SYBOX MINI 3


Dimensions in mm

1	A	439	M	46	
2	B	263	N	101.7	
3	C	46	P	140	
4	D	143	Q	140	
5	E	60.7	R	155.5	
6	F	106.7	S	47.8	
7	G	279.5	T	133	
8	H	236	V	54.5	
9	I	40.5			
10	L	152			

Pump connection

Suction
 1" G
 7,5 bar (750 kPa)

Discharge
 1" G
 7,5 bar (750 kPa)

Project

Project ID

Created by

Created on

2017-08-16